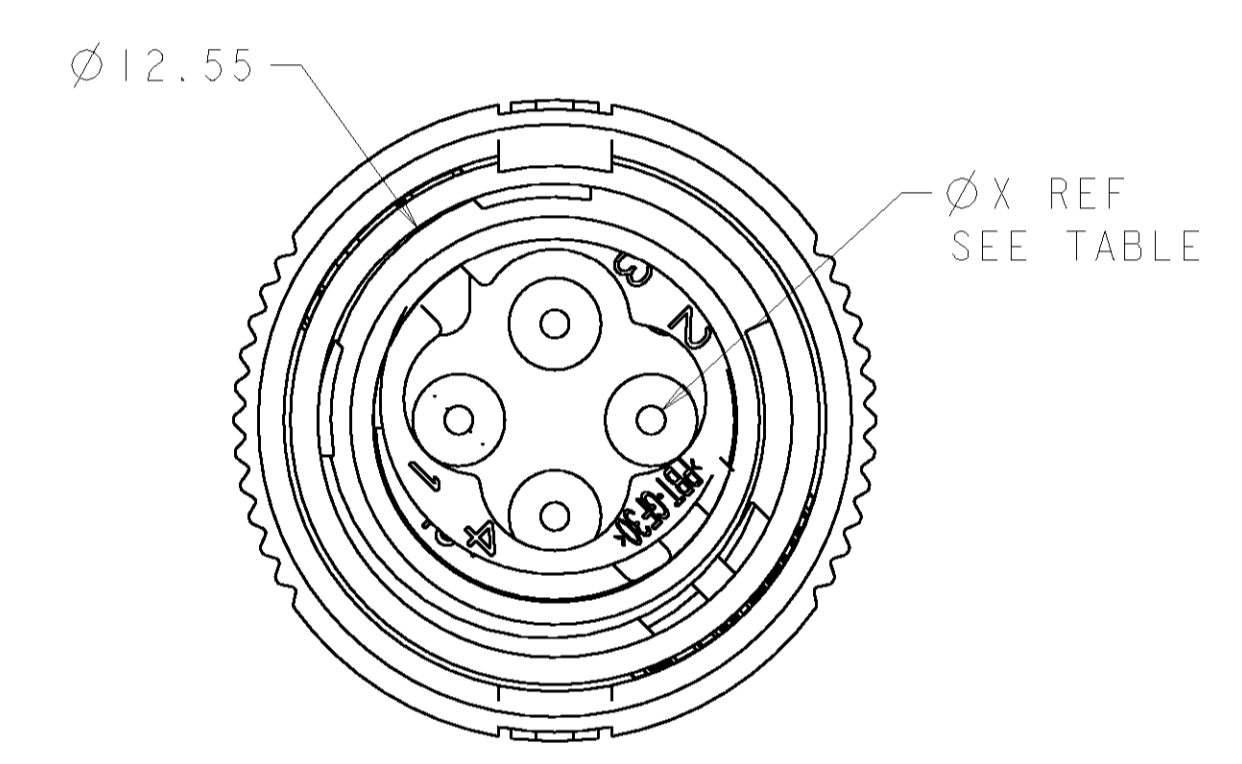
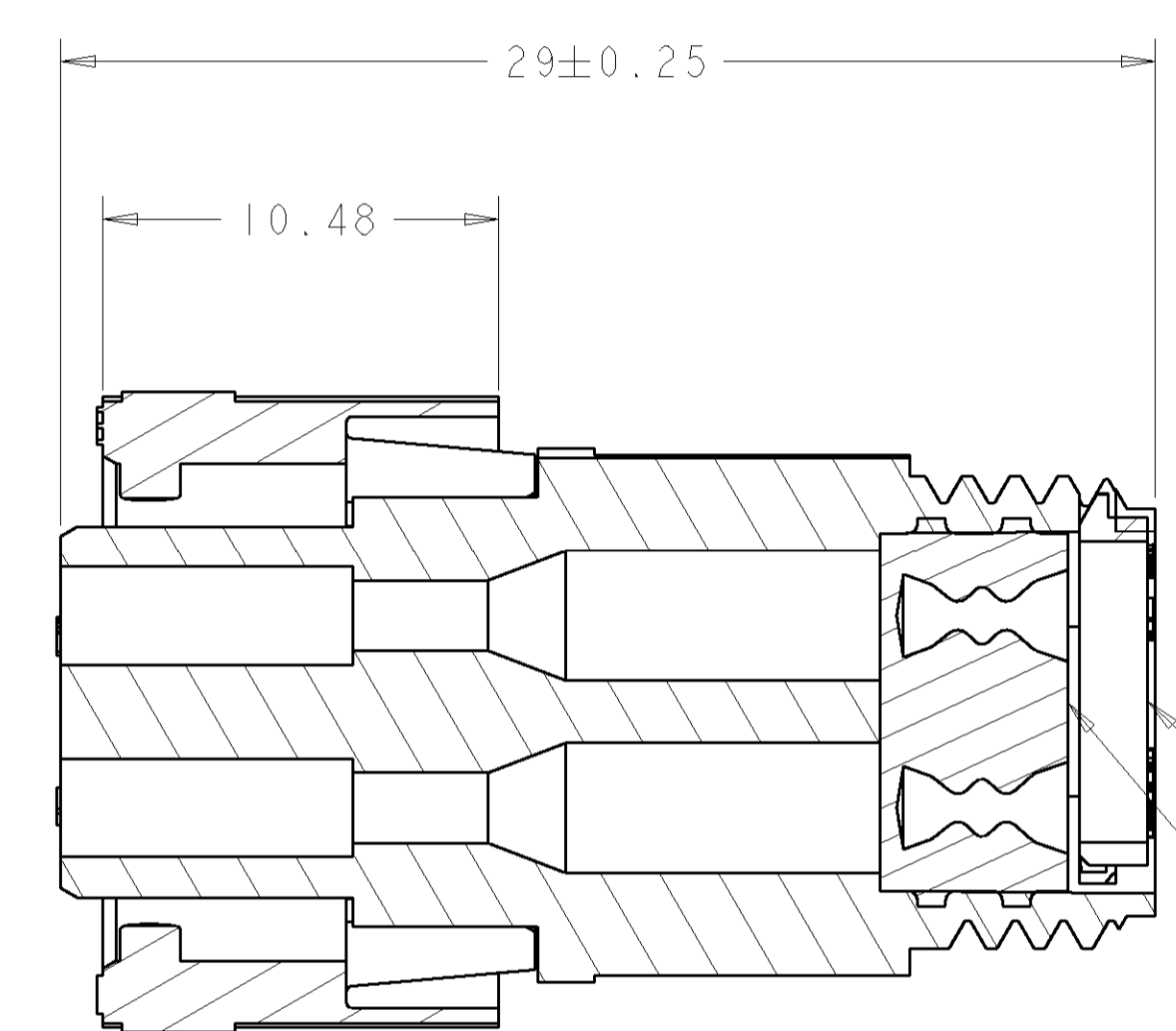
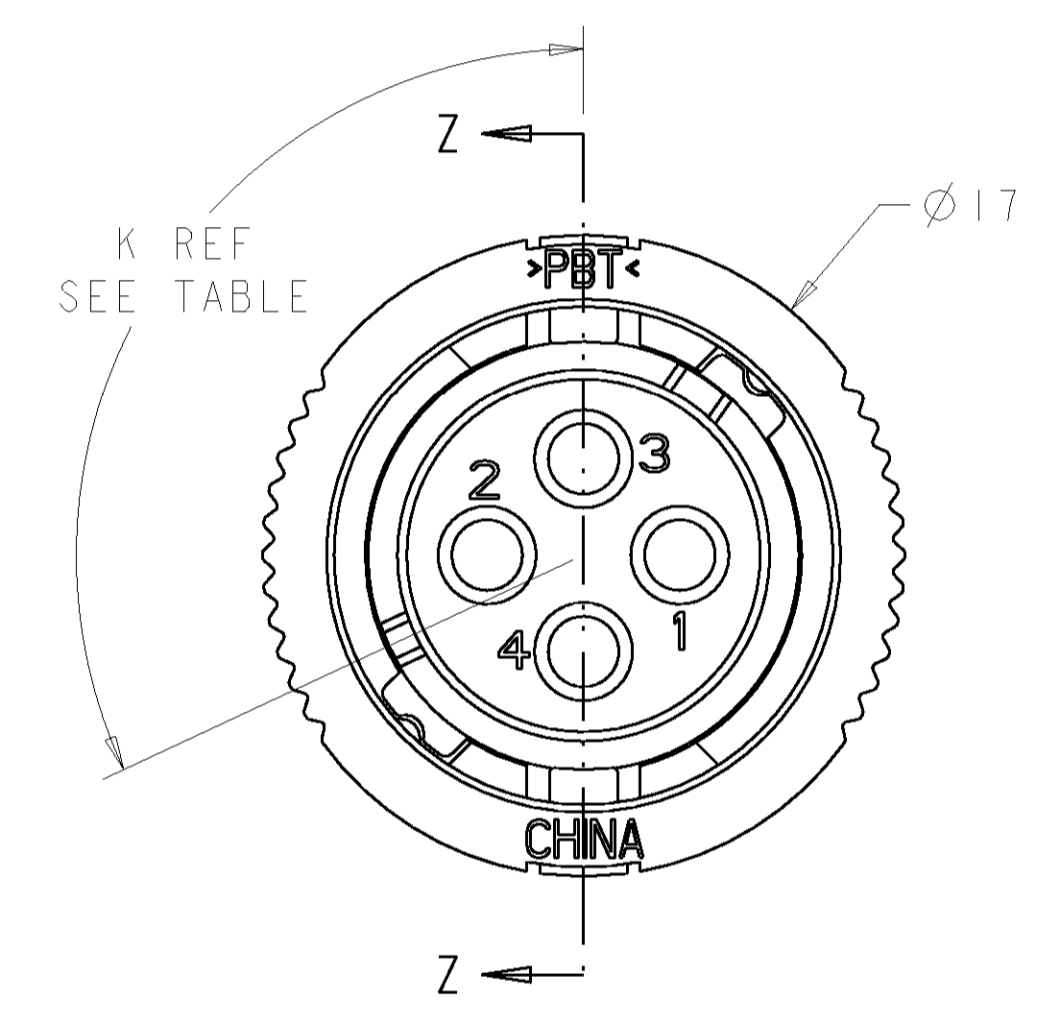
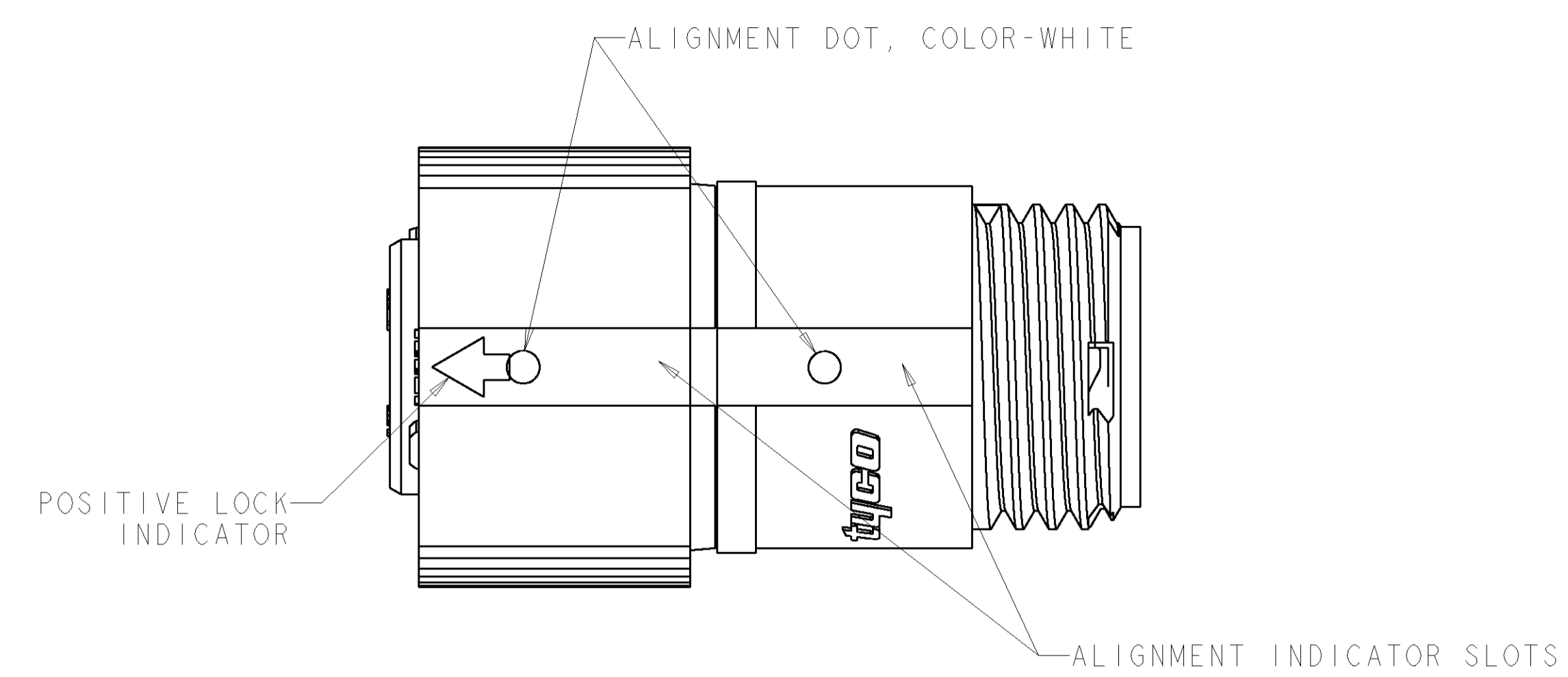
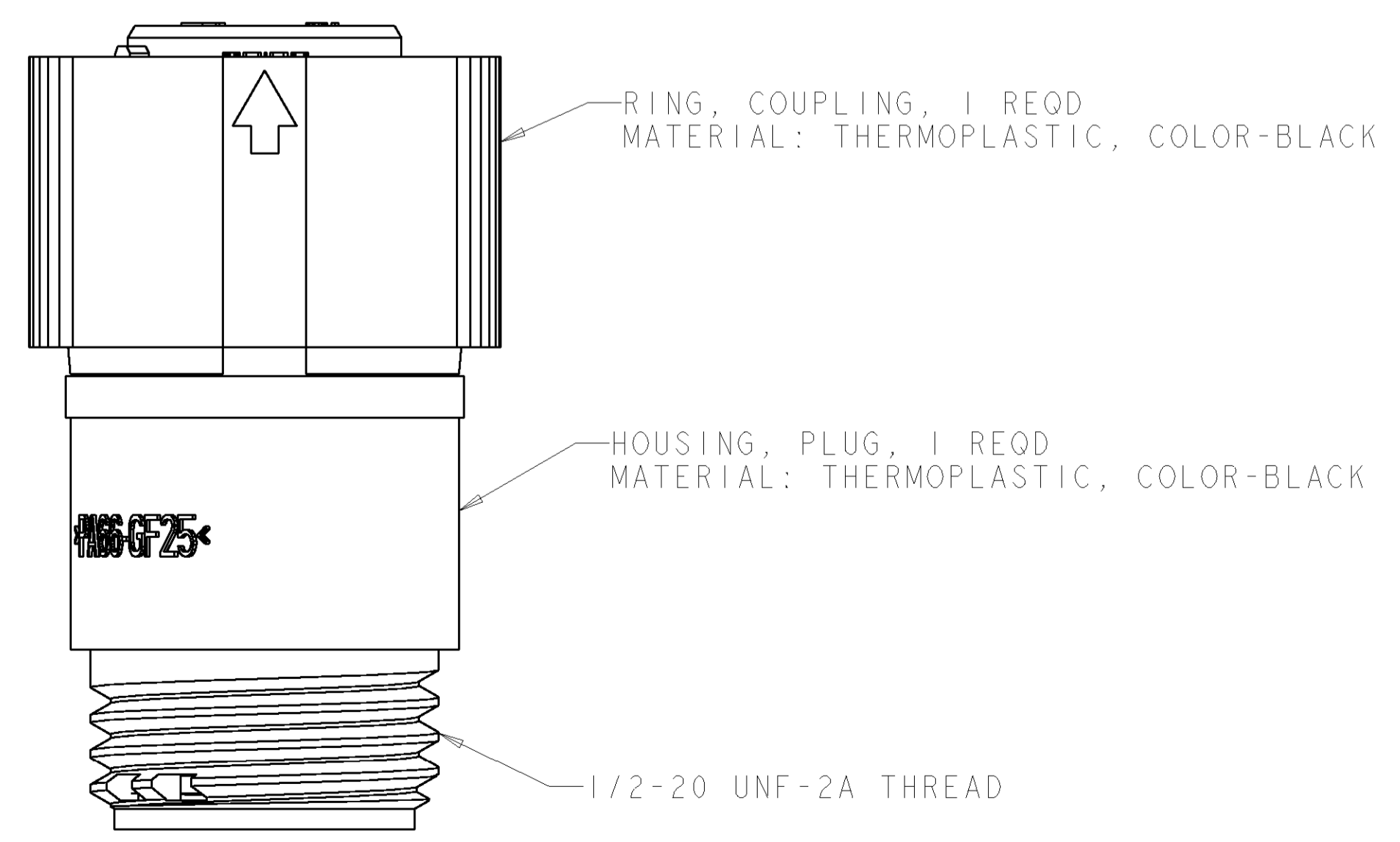


LOC		DIST		REVISIONS			
FT	0	P	LTR	DESCRIPTION	DATE	DWN	APVD
		A		RELEASED EC 0638-0362-03	12JUN2003	SW	HW
		B		REVISED EC 0638-0390-04	20MAY2004	SW	HW



RETAINER, SEAL, 1 REQD
 MATERIAL: THERMOPLASTIC, COLOR-BLACK
 SEAL, WIRE ENTRY, 1 REQD
 MATERIAL: ELASTOMER, COLOR-SEE TABLE

SECTION Z-Z



QUALIFICATION TEST PENDING

YELLOW	Ø0.75	130°	1445390-04
NATURAL	Ø1.5	115°	1445390-03
NATURAL	Ø1.5	130°	1445390-02
YELLOW	Ø0.75	115°	1445390-01
SEAL, WIRE ENTRY COLOR	ØX REF	K REF	PART NUMBER

<small>THIS DRAWING IS UNPUBLISHED. RELEASED FOR PUBLICATION. ALL RIGHTS RESERVED. THIS DRAWING IS THE PROPERTY OF TYCO ELECTRONICS CORPORATION. IT IS TO BE USED ONLY FOR THE PURPOSES AND ORGANIZATION SPECIFIED HEREIN. CONTACT TYCO ELECTRONICS CORPORATION FOR OTHER INFORMATION.</small>		DWN G. DOUTY 01MAR2001 ENR H. WAKEEM 12JUN2003 APVD H. WAKEEM 12JUN2003	Tyco Electronics Harrisburg, PA 17105-3608
DIMENSIONS: mm 	TOLERANCES UNLESS OTHERWISE SPECIFIED: 0 PLC ± 1 PLC ± 2 PLC ±0.13 3 PLC ± 4 PLC ± ANGLES ±	NAME ASSEMBLY, PLUG, SIZE 8 4 POSITION, SEALED, MINI CPC	SIZE A1 CAGE CODE 00779 DRAWING NO 1445390
MATERIAL SEE CALLOUT	FINISH SEE CALLOUT	WEIGHT -	RESTRICTED TO -
CUSTOMER DRAWING		SCALE 5:1	SHEET 1 OF 1 REV B